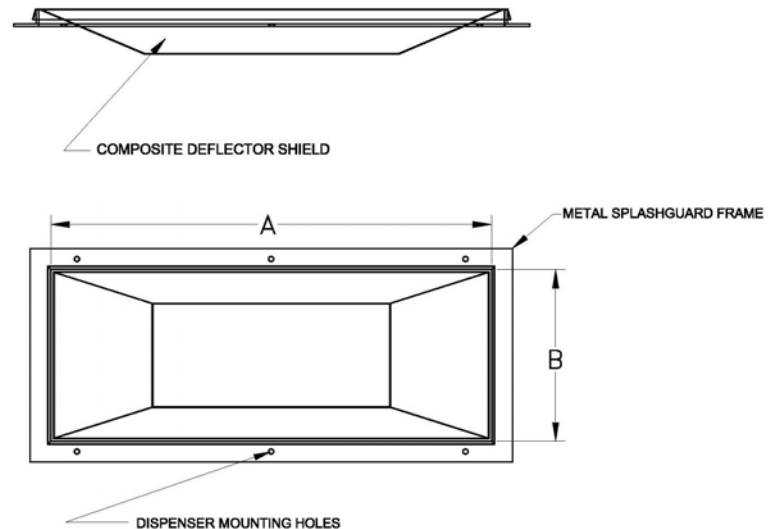




Containment Frame

Fiberglass UDC Transition Containment Frame



The containment frame provides a means to prevent surface or ground water run-off from entering the containment system. The Western Fiberglass, Inc. UDC Transition Containment Frame allows for upgrades of the fueling dispenser without installing new underground dispenser containment. This eliminates the need to break concrete and will save time and money during installation. The Western Fiberglass Containment Frame has obtained California state approval as well as passed independent 3rd party testing.

Features/Options:

- Easy to Install
- Available For All Dispenser Models
- 10-Year Warranty
- Fully Testable

Contact Us For More Information!

5555 Skylane Blvd., Suite A • Santa Rosa, CA 95403

Ph: (800) 688-3375 or (707) 523-2050

www.westernfg.com



UDC TRANSITION CONTAINMENT FRAME PRODUCT SPECIFICATION

Summary

The UDC Transition Containment Frame System is installed in conjunction with the product dispenser and in accordance with the manufacturer's installation instructions. The UDC Transition Containment Frame System shall contain environmentally hazardous fluids that might leak from any piping terminations, fittings, and hoses contained within the Dispenser Mounting Assembly.

System Specifications

The UDC Transition Containment Frame System shall:

1.01 System Suitability:

- A. Provide a means to prevent surface, ground, run-off or wash-down water from entering the containment system.
- B. Contain and direct any release of environmental contaminants from the dispenser and/or fittings contained within the Dispenser Mounting/Containment System to the existing dispenser containment sump.
- C. Provide full access to all piping terminations, fittings and hoses contained within the Dispenser Mounting/Containment System.
- D. Be testable after installation.

1.02 Construction Specifications:

- A. Meet or exceed ASTM-E-96, ASTM D-543, ASTM D-4437 Mod 1-2 PSI Maximum and Standards PS-15-69 for Custom Contact-Molded Reinforced-Polyester Chemical-Resistant Process Equipment or U.L. Listing if applicable.
- B. Be constructed of materials that are not harmful to the environment.
- C. Be suitable for petroleum products and fuel blends including methanol and ethyl alcohol mixtures as well as bio-fuels.
- D. Have a thirty (10) year warranty against corrosion.

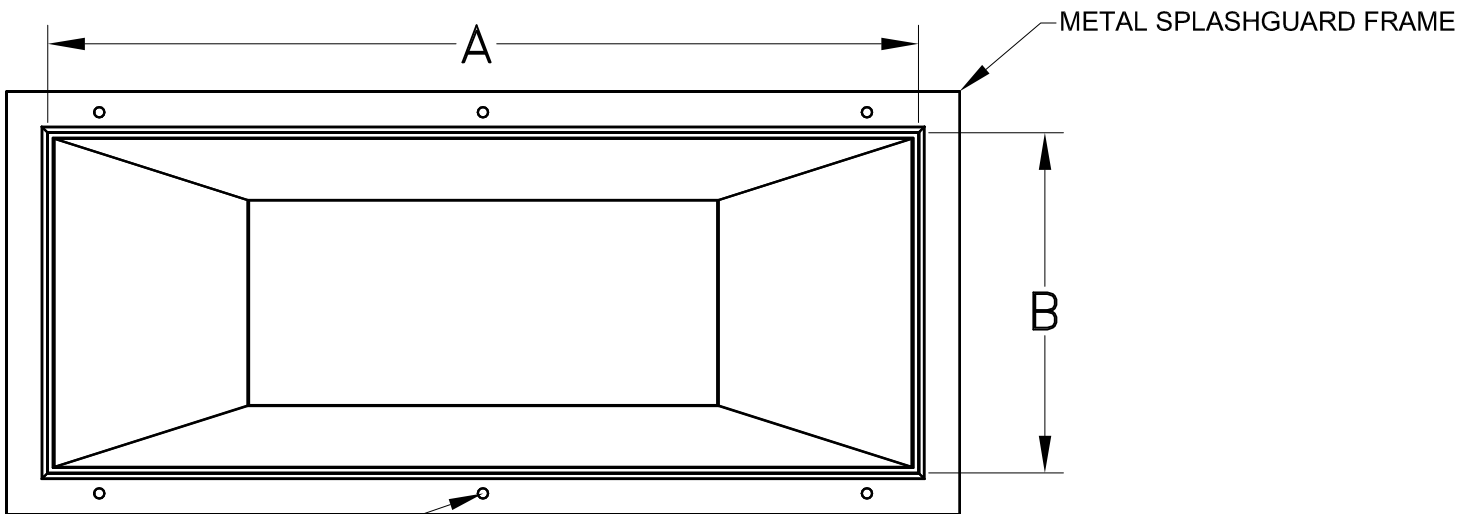
1.03 Release Monitoring shall:

- A. Allow full visual and physical access/inspection of all surfaces and contact areas.

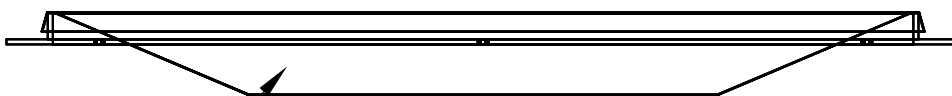
Contact Us For More Information!
1555 Copperhill Parkway • Santa Rosa, CA 95403
Ph: (800) 688-3375 or (707) 523-2050
www.westernfg.com

SPLASHGUARD RIM O.D.

A	
B	



DISPENSER MOUNTING HOLES



COMPOSITE DEFLECTOR SHIELD



Western Fiberglass Inc.
 Santa Rosa, Calif.
 800 688-3375
 Fax 800 700-1188
 www.westernfg.com

DESCRIPTION	WESTERN FIBERGLASS RETROFIT SPLASHGUARD		
MODEL #	.		
PART #	DM9915		
SCALE	.	SHEET	1 OF 1

FILE DL-080224-01f

07-21-08



UDC TRANSITION CONTAINMENT FRAME LIMITED PRODUCT WARRANTY

This limited warranty constitutes our only responsibility and obligation to repair and/or replace material or components. We make no other express or implied warranties or any warranty of merchantability or fitness for a particular use except for the limited conditional warranty stated below.

1. CONDITIONS OF WARRANTY

This warranty applies only to materials and components manufactured by Western Fiberglass, Inc., and is subject to notification by the original customer within (30) days of the first discovery of each cause, effect or occurrence which may cause any claim under this limited warranty, further:

- A. The components manufactured by Western Fiberglass, Inc. be used only for the purpose for which they were designed, intended, and installed, further:
- B. That the use of said systems and components be for the normal uses, service conditions and installation in accordance with the manufacturer's instructions approved by Western Fiberglass, Inc.

2. LIMITED WARRANTY

Subject to the conditions herein, Western Fiberglass, Inc. warrants, for the period and conditions below, that components manufactured by Western Fiberglass, Inc.:

- A. Will conform to manufacturer's specifications at time of sale and will be free from defects in materials and workmanship for one (1) year from date of original purchase, further:
- B. Will not fail due to external corrosion for a period of ten (10) years from the date of original purchase while remaining undisturbed in the original installation configuration, further:
- C. Will not fail due to internal corrosion in any application designed and used for the containment of the materials specified upon original order for the same period, as described in paragraph B., in section 2 above.

3. LIMITATION REMEDIES

Western Fiberglass, Inc. will at its option, repair or replace the defective materials and or components found to be defective by Western Fiberglass, Inc. in accordance with these conditions. These repairs or replacements will be furnished by Western Fiberglass, Inc. at no cost other than shipment fees hereunder. Any claims not covered by Western Fiberglass, Inc., will be the sole responsibility of the customer.

Western Fiberglass, Inc. will not be liable for any direct, incidental, special or consequential damages or other loss, including, but not limited to, damage to or loss of other property or equipment, loss of contents or service, environmental damages and or cleanup costs, loss of facilities or income, and personal injuries, whether to customers, its owners, officers, agents, employees, invitee, or otherwise, resulting from natural causes including, but not limited to, flood, fire earthquake or other act of God, negligence, willful misconduct or other cause not expressly described herein, regardless of when the same might occur.

Contact Us For More Information!
1555 Copperhill Parkway • Santa Rosa, CA 95403
Ph: (800) 688-3375 or (707) 523-2050
www.westernfg.com